

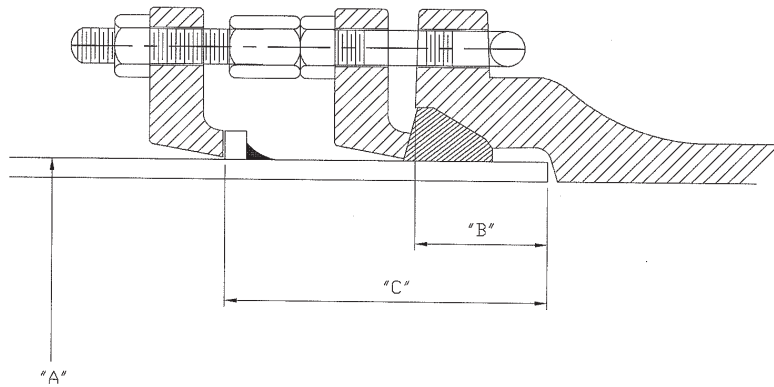


4"-48"

MJ HARNESS-LOK

U.S. PIPE AND FOUNDRY COMPANY / 866.DIP.PIPE / WWW.USPIPE.COM

U.S. Pipe's MJ HARNESS-LOK is a restrained mechanical joint alternative to friction MJ restraint systems. MJ HARNESS-LOK is rated for 350 psi in sizes 4"-24" and 250 psi for 30"-48". The joint seal is accomplished by a mechanical joint gland and gasket. The T-head bolts/nuts, studs, coupling nuts, MJ gland, and MJ gasket for joint seal are not included, but are shown below and specified in the tables as a reference for the customer. These items may be furnished by U.S. Pipe upon special request by the customer.



Nominal Pipe Size In.	"A" Outside Dia.	"B" Socket Depth In.	"C" Plain End to Gland In.	Bolts or Studs No.	Tee-Head Bolt In.	Coupling Nut In.	Stud In.	MHL x MHL Min. Lay Length Ft.	Pressure Rating psi
4	4.80	2.50	7.12	4	3/4 x 4	3/4 x 2 1/4	3/4 x 3 1/2	2'-3"	350
6	6.90	2.50	7.12	6	3/4 x 4	3/4 x 2 1/4	3/4 x 3 1/2	2'-3"	350
8	9.05	2.50	7.37	6	3/4 x 4 1/2	3/4 x 2 1/4	3/4 x 3 1/2	2'-3"	350
10	11.10	2.50	7.37	8	3/4 x 4 1/2	3/4 x 2 1/4	3/4 x 3 1/2	2'-3"	350
12	13.20	2.50	7.37	8	3/4 x 4 1/2	3/4 x 2 1/4	3/4 x 3 1/2	2'-3"	350
14	15.30	3.50	8.74	10	3/4 x 4 1/2	3/4 x 2 1/4	3/4 x 4 1/2	2'-9"	350
16	17.40	3.50	8.74	12	3/4 x 5	3/4 x 2 1/4	3/4 x 4 1/2	2'-9"	350
18	19.50	3.50	8.87	12	3/4 x 5	3/4 x 2 1/4	3/4 x 4 1/2	3'-0"	350
20	21.60	3.50	8.87	14	3/4 x 5	3/4 x 2 1/4	3/4 x 4 1/2	3'-0"	350
24	25.80	3.50	8.87	16	3/4 x 5 1/2	3/4 x 2 1/4	3/4 x 4 1/2	3'-0"	350
30	32.00	4.00	10.87	20	1 x 7	1 x 2 1/2	1 x 6	3'-6"	250
36	38.30	4.00	10.87	24	1 x 7	1 x 2 1/2	1 x 6	3'-6"	250
42	44.50	4.00	11.63	28	1 1/4 x 7	1 1/4 x 3	1 1/4 x 6 1/2	4'-0"	250
48	50.80	4.00	11.63	32	1 1/4 x 7	1 1/4 x 3	1 1/4 x 6 1/2	4'-0"	250

Note: Accessories are not included

MORE
THAN
JUST
PIPE.

