




---

## 1.0 PRODUCT DESCRIPTION

---

### Available Sizes

- 4" Outlets available for 10" – 32" IPS pipe diameters.
- 114.3mm Outlets available for 250 mm – 800 mm ISO pipe diameters.
- 6" Outlets available for 16" – 48" IPS pipe diameters.
- 168.3mm Outlets available for 450 mm – 1000 mm ISO pipe diameters.

### Function

- Designed to provide an outlet connection on HDPE, steel, and ductile iron pipe materials in IPS, ISO, and AWWA pipe sizes
- Locating collar aligns the Mechanical-T Spigot in the outlet hole for accurate installation and provides rotational resistance.
- Grooved outlet for direct connection to grooved steel pipe, valves, fittings or other equipment with grooved mechanical couplings. Grooved transition couplings are available from Victaulic for connections to plain end HDPE and grooved AWWA size Ductile Iron (DIPS) pipe/valves/fittings/equipment.

---

## 2.0 CERTIFICATION/LISTINGS

---

This system is certified to ISO 9001:2008 by the LPCB under certificate No. 104.

**ALWAYS REFER TO ANY NOTIFICATIONS AT THE END OF THIS DOCUMENT REGARDING PRODUCT INSTALLATION, MAINTENANCE OR SUPPORT.**

System No.		Location	
Submitted By		Date	

Spec Section		Paragraph	
Approved		Date	

### 3.0 SPECIFICATIONS – MATERIAL

#### Style 926 Mechanical-T Spigot

**Housing:** Ductile iron conforming to ASTM A536, Grade 65-45-12.

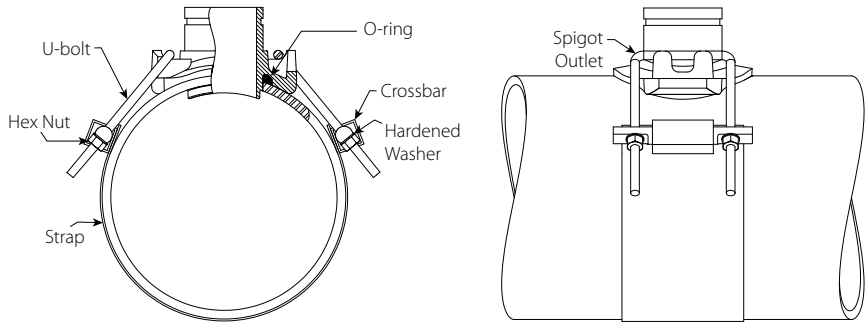
**Housing Coating: (specify choice)**

- Standard: Orange enamel
- Optional: Fusion bonded epoxy
- Optional: Galvanized

NOTE: Custom coating options may be specified. Contact Victaulic for details.

**Housing Lining: (specify choice)**

- Standard: No lining
- Optional: Rubber lining. Contact Victaulic for material options.



**Strap:**

Standard: Carbon steel. Components meeting the physical and chemical requirements of ASTM A36.

NOTE: Custom coating options or stainless steel may be specified. Contact Victaulic for details.

**U-Bolts/Nuts:**

Standard:

U-Bolts: Carbon steel u-bolts meeting the physical and chemical requirements of ASTM A449.

Nuts: Carbon steel heavy hex nuts meeting the physical and chemical requirements of ASTM A563 Grade B.

Carbon steel u-bolts and heavy hex nuts are supplied zinc plated per ASTM B633 ZN/FE5, finish Type III.

Hardened Steel washers conform to ASTM F436 Type 3 (weathering steel).

NOTE: Custom coating options or stainless steel may be specified. Contact Victaulic for details.

**Crossbar:**

Standard: Type 1215 carbon steel meeting the physical and chemical requirements of ASTM A108. Carbon steel crossbars are supplied zinc plated per ASTM B633 ZN/FE5, finish Type III.

NOTE: Custom coating options or stainless steel may be specified. Contact Victaulic for details.

**O-Ring: (specify choice<sup>1</sup>)**

Standard:

**Grade “T” Nitrile**

Nitrile (Orange stripe color code). Temperature range -20°F to +180°F/-29°C to +82°C. May be specified for petroleum products, air with oil vapors, vegetable and mineral oils within the specified temperature range. May be specified for water services and dry air up to 140°F/60°C

Optional:

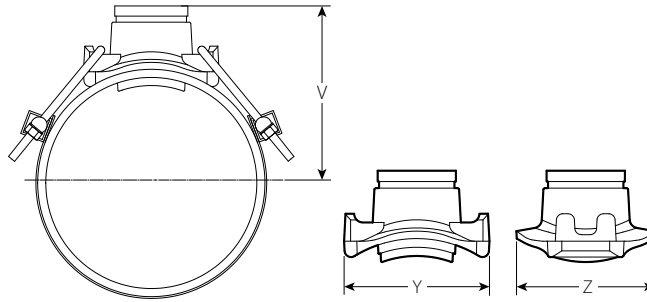
**Grade “E” EPDM**

EPDM (Green color code). Temperature range -30°F to +230°F/-34°C to +110°C. May be specified for cold and hot water service within the specified temperature range plus a variety of dilute acids, oil-free air and many chemical services. NOT COMPATIBLE FOR PETROLEUM SERVICES.

<sup>1</sup> Services listed are General Service Guidelines only. It should be noted that there are services for which these gaskets are not compatible. Reference should always be made to the latest [Victaulic Gasket Selection Guide](#) for specific gasket service guidelines and for a listing of services which are not compatible.

## 4.0 DIMENSIONS

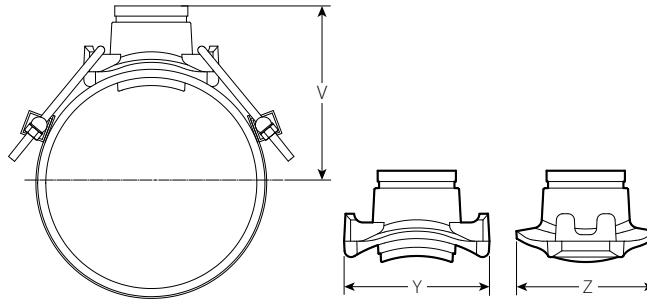
For use with IPS Steel and HDPE and ISO Size Steel



Size Host Pipe x Outlet		Dimensions						Approx. Weight Each lb kg
Nominal inches mm	Actual Outside Diameter inches mm	Hole Diameter inches (+0.13/-0.0) mm (+3.2/-0.0)	V inches mm	Y inches mm	Z inches mm			
10 250	x 4 100	10.750 273.1	x 4.500 114.3	4.50 114.3	10.25 260	8.50 216	8.00 203	31.0 14.0
12 300	x 4 100	12.750 323.9	x 4.500 114.3	4.50 114.3	11.00 280	8.38 213	8.00 203	33.0 15.0
14 350	x 4 100	14.000 355.6	x 4.500 114.3	4.50 114.3	11.75 299	8.38 213	8.00 203	33.0 15.0
16 400	x 4 100	16.000 406.4	x 4.500 114.3	4.50 114.3	12.88 327	8.50 216	8.00 203	35.0 15.9
18 450	x 4 100	18.000 457.2	x 4.500 114.3	4.50 114.3	13.88 353	8.50 216	8.00 203	36.0 16.4
20 500	x 4 100	20.000 508.0	x 4.500 114.3	4.50 114.3	14.88 378	8.50 216	8.00 203	38.0 17.3
22 550	x 4 100	22.000 558.8	x 4.500 114.3	4.50 114.3	15.88 403	8.50 216	8.00 203	39.0 17.7
24 600	x 4 100	24.000 609.6	x 4.500 114.3	4.50 114.3	16.88 429	8.50 216	8.00 203	40.0 18.1
26 650	x 4 100	26.000 660.4	x 4.500 114.3	4.50 114.3	17.75 451	8.50 216	8.00 203	41.0 18.6
28 700	x 4 100	28.000 711.2	x 4.500 114.3	4.50 114.3	18.75 477	8.50 216	8.00 203	43.0 19.5
30 750	x 4 100	30.000 762.0	x 4.500 114.3	4.50 114.3	19.75 502	8.50 216	8.00 203	44.0 20.0
32 800	x 4 100	32.000 812.8	x 4.500 114.3	4.50 114.3	20.75 527	8.50 216	8.00 203	46.0 20.9

### 4.0 DIMENSIONS (Continued)

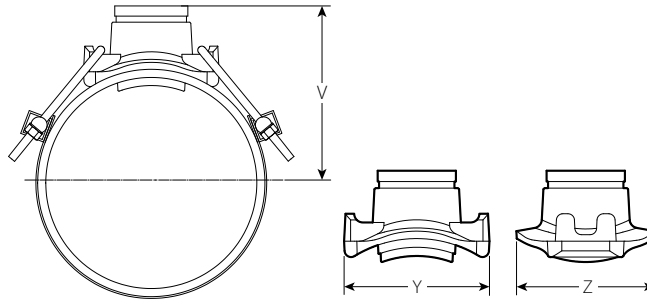
For use with IPS Steel and HDPE and ISO Size Steel



Size Host Pipe x Outlet		Dimensions						Approx. Weight Each lb kg
Nominal inches mm	Actual Outside Diameter inches mm	Hole Diameter inches (+0.13/-0.0) mm (+3.2/-0.0)	V inches mm	Y inches mm	Z inches mm			
16 400	x 6 150	16.000 406.4	x 6.625 168.3	6.63 168.3	12.88 327	10.63 270	10.00 254	43.0 19.5
18 450	x 6 150	18.000 457.2	x 6.625 168.3	6.63 168.3	13.88 353	10.63 270	10.00 254	45.0 20.5
20 500	x 6 150	20.000 508.0	x 6.625 168.3	6.63 168.3	14.88 378	10.63 270	10.00 254	46.0 20.9
22 550	x 6 150	22.000 558.8	x 6.625 168.3	6.63 168.3	15.88 403	10.63 270	10.00 254	47.0 21.4
24 600	x 6 150	24.000 609.6	x 6.625 168.3	6.63 168.3	16.88 429	10.63 270	10.00 254	48.0 21.8
26 650	x 6 150	26.000 660.4	x 6.625 168.3	6.63 168.3	17.88 454	10.63 270	10.00 254	50.0 22.7
28 700	x 6 150	28.000 711.2	x 6.625 168.3	6.63 168.3	18.88 480	10.63 270	10.00 254	51.0 23.2
30 750	x 6 150	30.000 762.0	x 6.625 168.3	6.63 168.3	19.88 505	10.63 270	10.00 254	53.0 24.1
32 800	x 6 150	32.000 812.8	x 6.625 168.3	6.63 168.3	20.88 530	10.63 270	10.00 254	54.0 24.5
36 900	x 6 150	36.000 914.4	x 6.625 168.3	6.63 168.3	22.88 581	10.63 270	10.00 254	56.0 25.5
42 1050	x 6 150	42.000 1066.8	x 6.625 168.3	6.63 168.3	25.88 657	10.63 270	10.00 254	60.0 27.3
48 1200	x 6 150	48.000 1219.2	x 6.625 168.3	6.63 168.3	28.88 734	10.63 270	10.00 254	64.0 29.1

## 4.1 DIMENSIONS

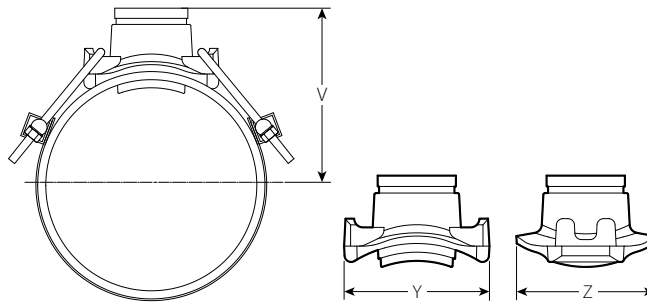
For use with ISO and AS/NZ Size HDPE



Size Host Pipe x Outlet		Hole Diameter inches (+0.13/-0.0) mm (+3.2/-0.0)	Dimensions			Approx. Weight Each lb kg
Nominal mm	Actual Outside Diameter mm		V mm	Y mm	Z mm	
250 x 100	250.0 x 114.3	4.50 114.3	246	215	202	31.0 14.0
280 x 100	280.0 x 114.3	4.50 114.3	262	215	203	31.0 14.0
315 x 100	315.0 x 114.3	4.50 114.4	255	212	203	33.0 15.0
355 x 100	355.0 x 114.3	4.50 114.3	296	212	203	33.0 15.0
400 x 100	400.0 x 114.3	4.50 114.3	321	214	203	35.0 15.9
450 x 100	450.0 x 114.3	4.50 114.3	346	214	203	36.0 16.4
500 x 100	500.0 x 114.3	4.50 114.3	371	214	203	37.0 16.8
560 x 100	560.0 x 114.3	4.50 114.3	401	214	203	39.0 17.7
630 x 100	630.0 x 114.3	4.50 114.3	436	214	203	40.0 18.2
710 x 100	710.0 x 114.3	4.50 114.3	476	214	203	43.0 19.5
800 x 100	800.0 x 114.3	4.50 114.3	521	214	203	44.0 20.0

4.1 DIMENSIONS (Continued)

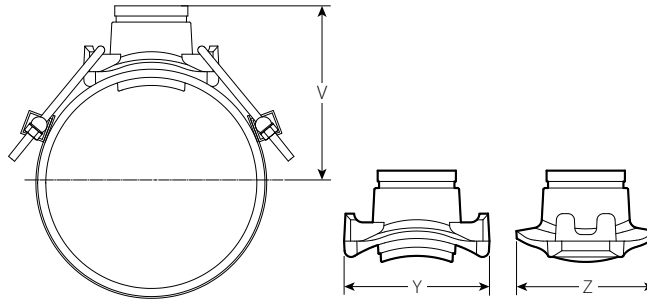
For use with ISO and AS/NZ Size HDPE



Size Host Pipe x Outlet		Hole Diameter inches (+0.13/-0.0) mm (+3.2/-0.0)	Dimensions			Approx. Weight Each lb kg
Nominal mm	Actual Outside Diameter mm		V mm	Y mm	Z mm	
450 x 150	450.0 x 168.3	6.63 168.3	348	269	254	44.0 20.0
500 x 150	500.0 x 168.3	6.63 168.3	373	269	254	46.0 20.9
560 x 150	560.0 x 168.3	6.63 168.3	403	269	254	47.0 21.4
630 x 150	630.0 x 168.3	6.63 168.3	438	269	254	49.0 22.3
710 x 150	710.0 x 168.3	6.63 168.3	478	269	254	51.0 23.2
800 x 150	800.0 x 168.3	6.63 168.3	523	269	254	53.0 24.1
900 x 150	900.0 x 168.3	6.63 168.3	573	269	254	56.0 25.5
1000 x 150	1000.0 x 168.3	6.63 168.3	623	269	254	58.0 26.4

## 4.2 DIMENSIONS

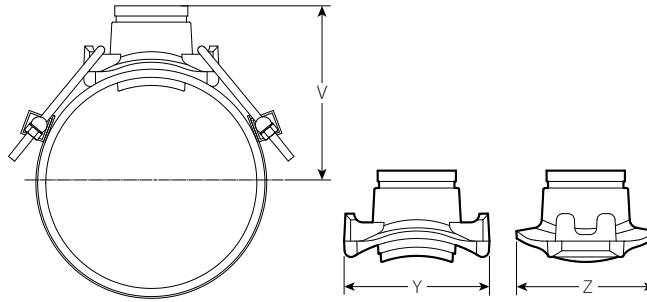
For use with AWWA C151 size pipe



Size Host Pipe x Outlet		Hole Diameter inches (+0.13/-0.0)	Dimensions			Approx. Weight Each lb
Nominal inches	Actual Outside Diameter inches		V inches	Y inches	Z inches	
10 x 4	11.100 x 4.500	4.50	10.38	8.50	8.00	30.0
12 x 4	13.200 x 4.500	4.50	11.25	8.38	8.00	33.0
14 x 4	15.300 x 4.500	4.50	12.38	8.38	8.00	35.0
16 x 4	17.400 x 4.500	4.50	13.50	8.50	8.00	36.0
18 x 4	19.500 x 4.500	4.50	14.38	8.50	8.00	37.0
20 x 4	21.600 x 4.500	4.50	15.63	8.50	8.00	39.0
24 x 4	25.800 x 4.500	4.50	17.75	8.50	8.00	41.0
30 x 4	32.000 x 4.500	4.50	20.88	8.50	8.00	46.0

4.2 DIMENSIONS (Continued)

For use with AWWA C151 size pipe



Size Host Pipe x Outlet		Hole Diameter inches (+0.13/-0.0)	Dimensions			Approx. Weight Each lb
Nominal inches	Actual Outside Diameter inches		V inches	Y inches	Z inches	
16 x 6	17.400 x 6.625	6.63	13.63	10.63	10.00	44.0
18 x 6	19.500 x 6.625	6.63	14.63	10.63	10.00	46.0
20 x 6	21.600 x 6.625	6.63	15.88	10.63	10.00	47.0
24 x 6	25.800 x 6.625	6.63	17.88	10.63	10.00	49.0
30 x 6	32.000 x 6.625	6.63	20.88	10.63	10.00	54.0
36 x 6	38.300 x 6.625	6.63	24.00	10.63	10.00	58.0



## 5.0 PERFORMANCE

### 5.1 Maximum Allowable Working Pressure (MAWP): High Density Polyethylene Pipe

Nominal Outlet Size inches	Outside Diameter inches	IPS PE 4710 HDPE Pipe <sup>1</sup> SDR				
		7	9	11	13.5	17
		Pressure Rating psi kPa				
4	10-32	250	250	200	160	125
6	16-26	200	200	200	160	125
	28-48	175	175	175	160	125

1 Ratings noted are at 73°F/23°C. Reference pipe manufacturer data for de-rating factors at other temperatures.

Nominal Outlet Size mm	Outside Diameter mm	ISO and AS/NZ size PE 100 HDPE Pipe <sup>2</sup> SDR				
		7	9	11	13.5	17
		Pressure Rating Bar kPa psi				
114.3	250-800	17.2	17.2	16	12.5	10
		1725	1725	1600	1255	1000
		250	250	232	182	145
168.3	450-630	16	16	16	12.5	10
		1600	1600	1600	1255	1000
		232	232	232	182	145
	710-1000	12.5	12.5	12.5	12.5	10
		1255	1255	1255	1255	1000
		182	182	182	182	145

2 Ratings noted are at 68°F/20°C. Reference pipe manufacturer data for de-rating factors at other temperatures.

### 5.2 Maximum Allowable Working Pressure (MAWP): IPS/ISO steel and AWWA ductile iron pipe

Nominal Outlet Size inches mm	Outside Diameter inches mm	IPS and ISO Steel psi bar kPa
4 114.3	10-32	250
	250-800	17.2 1723
6 168.3	16-26 450-630	200
		13.8 1379
	28-48 710-1000	175
		12 1206

Nominal Outlet Size inches	Outside Diameter inches	Ductile Iron Pipe
4	10-30	250
6	16-24	200
	30-36	175

---

## 6.0 NOTIFICATIONS

---

Not applicable – contact Victaulic with any questions.

---

## 7.0 REFERENCE MATERIALS

---

- [05.01: Gasket Selection Guide](#)
- [19.07: Style 905 Coupling for HDPE Pipe](#)
- [19.09: Style 908 Coupling for Double Grooved HDPE Pipe](#)
- [19.10: Style 907 Transition Coupling Carbon Steel to HDPE Pipe](#)
- [19.11: HDPE Plain End Fittings](#)
- [I-926: Installation and Maintenance Instruction Manual](#)

---

### User Responsibility for Product Selection and Suitability

Each user bears final responsibility for making a determination as to the suitability of Victaulic products for a particular end-use application, in accordance with industry standards and project specifications, as well as Victaulic performance, maintenance, safety, and warning instructions. Nothing in this or any other document, nor any verbal recommendation, advice, or opinion from any Victaulic employee, shall be deemed to alter, vary, supersede, or waive any provision of Victaulic Company's standard conditions of sale, installation guide, or this disclaimer.

### Intellectual Property Rights

No statement contained herein concerning a possible or suggested use of any material, product, service, or design is intended, or should be construed, to grant any license under any patent or other intellectual property right of Victaulic or any of its subsidiaries or affiliates covering such use or design, or as a recommendation for the use of such material, product, service, or design in the infringement of any patent or other intellectual property right. The terms "Patented" or "Patent Pending" refer to design or utility patents or patent applications for articles and/or methods of use in the United States and/or other countries.

### Note

This product shall be manufactured by Victaulic or to Victaulic specifications. All products to be installed in accordance with current Victaulic installation/assembly instructions. Victaulic reserves the right to change product specifications, designs and standard equipment without notice and without incurring obligations.

### Installation

Reference should always be made to the Victaulic installation handbook or installation instructions of the product you are installing. Handbooks are included with each shipment of Victaulic products, providing complete installation and assembly data, and are available in PDF format on our website at [www.victaulic.com](http://www.victaulic.com).

### Warranty

Refer to the Warranty section of the current Price List or contact Victaulic for details.

### Trademarks

*Victaulic* and all other Victaulic marks are the trademarks or registered trademarks of Victaulic Company, and/or its affiliated entities, in the U.S. and/or other countries.