



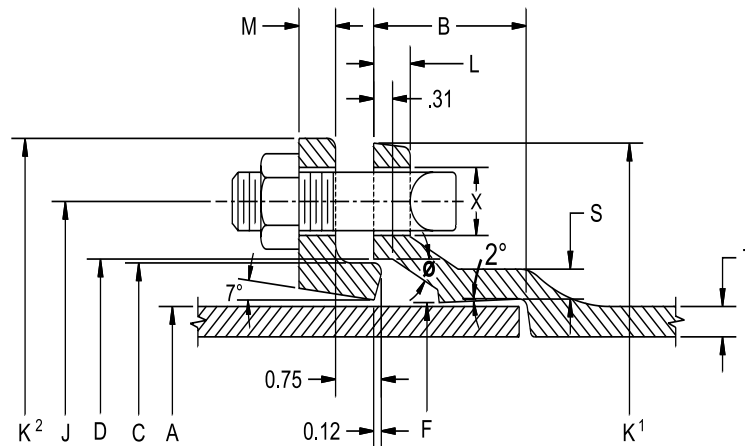
# MECHANICAL JOINT C153 DUCTILE IRON COMPACT FITTINGS

Sizes 3" thru 12" UL Listed For Fire Main Equipment

## SAMPLE SPECIFICATIONS

Mechanical Joint watermain fittings with accessories, 3" through 48" shall be manufactured from Ductile Iron in accordance with and meet all applicable terms and provisions of standards ANSI/AWWA C153/A21.53 ANSI/AWWA C111/A21.11 (current revisions). Ductile Iron Mechanical Joint Fittings 3" through 24" shall be rated for 350 PSI working pressure. 30" through 48" shall be rated for 250 psi working pressure. Flanged ductile-iron fittings in 24-in. (610 mm) and smaller sizes may be rated for 350 psi (2,413 kPa) with the use of special gaskets. All coated fittings meet requirements of NSF-61.

NOTE - EXCEPTIONS: Mechanical Joint Fittings with flanged branches are rated for water pressure of 250 PSI.

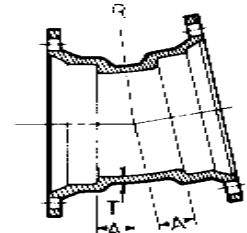
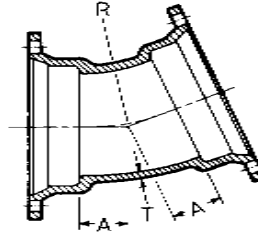
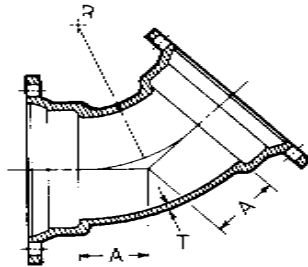
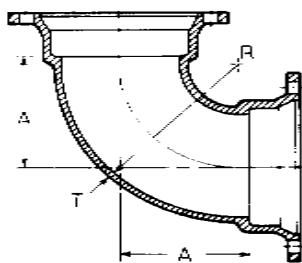


JOINT DIMENSIONS IN INCHES

BOLTS

Size	A Dia.	B	C Dia.	D Dia.	F Dia.	J Dia.	K <sup>1</sup> Dia.	K <sup>2</sup> Dia.	L	M	S	T	X	Size	No.
3	3.96	2.50	4.84	4.94	4.06	6.19	7.62	7.69	.58	.62	.39	.33	3/4	5/8x3	4
4	4.80	2.50	5.92	6.02	4.90	7.50	9.06	9.12	.60	.75	.39	.34	7/8	3/4x3 1/2	4
6	6.90	2.50	8.02	8.12	7.00	9.50	11.06	11.12	.63	.88	.43	.36	7/8	3/4x3 1/2	6
8	9.05	2.50	10.17	10.27	9.15	11.75	13.31	13.37	.66	1.00	.45	.38	7/8	3/4x3 1/2	6
10	11.10	2.50	12.22	12.34	11.20	14.00	15.62	15.62	.70	1.00	.47	.40	7/8	3/4x3 1/2	8
12	13.20	2.50	14.32	14.44	13.30	16.25	17.88	17.88	.73	1.00	.49	.42	7/8	3/4x3 1/2	8
14	15.30	3.50	16.40	16.54	15.44	18.75	20.31	20.25	.79	1.25	.56	.47	7/8	3/4x4	10
16	17.40	3.50	18.50	18.64	17.54	21.00	22.56	22.50	.85	1.31	.57	.50	7/8	3/4x4	12
18	19.50	3.50	20.60	20.74	19.64	23.25	24.83	24.75	1.00	1.38	.68	.54	7/8	3/4x4	12
20	21.60	3.50	22.70	22.84	21.74	25.50	27.08	27.00	1.02	1.44	.69	.57	7/8	3/4x4	14
24	25.80	3.50	26.90	27.04	25.94	30.00	31.58	31.50	1.02	1.56	.75	.61	7/8	3/4x4 1/2	16
30	32.00	4.00	33.29	33.46	32.17	36.88	39.12	39.12	1.31	2.00	.82	.66	1 1/8	1x5 1/2	20
36	38.30	4.00	39.59	39.76	38.47	43.75	46.00	46.00	1.45	2.00	1.00	.74	1 1/8	1x5 1/2	24
42	44.50	4.00	45.79	45.96	44.67	50.62	53.12	53.12	1.45	2.00	1.25	.82	1 3/8	1 1/4x6 1/2	28
48	50.80	4.00	52.09	52.26	50.97	57.50	60.00	60.00	1.45	2.00	1.35	.90	1 3/8	1 1/4x6 1/2	32

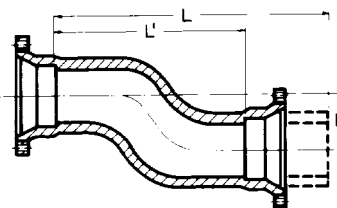
**BENDS**



Size	90° Bends (1/4)				45° Bends (1/8)			22½° Bends (1/16)			11¼° (1/32)		
	T	A	R	Weight	A	R	Weight	A	R	Weight	A	R	Weight
3	.34	3.5	2.5	19	2.00	2.41	17	1.50	2.51	15	1.25	2.53	16
4	.35	4.0	3.0	26	2.50	3.56	22	1.75	3.81	20	1.50	5.12	20
6	.37	6.5	6.0	49	3.50	7.25	39	2.25	6.35	31	1.50	5.12	29
8	.39	7.5	7.0	64	4.00	8.44	56	2.85	11.80	50	2.06	15.80	45
10	.41	9.5	9.0	102	5.01	10.88	78	3.35	14.35	66	2.32	18.36	59
12	.43	10.5	10.0	129	5.98	13.25	102	3.86	16.90	87	2.56	20.90	82
14	.51	12.0	11.5	214	5.50	12.06	155	3.93	17.25	142	2.59	21.25	136
16	.52	13.0	12.5	273	5.98	13.25	204	3.98	17.50	178	2.62	21.50	157
18	.59	15.5	14.0	411	6.50	12.36	292	7.50	30.19	286	3.00	60.84	283
20	.60	17.0	15.5	519	7.00	13.59	372	8.50	35.19	376	3.50	71.07	374
24	.62	17.0	15.5	721	7.50	14.89	490	9.00	37.69	512	3.50	76.12	487
30	.66	21.50	19.0	930	10.50	9.31	716	6.75	21.36	665	4.75	22.84	600
36	.74	24.50	22.0	1450	11.50	21.73	1110	7.75	26.39	960	5.00	25.38	820
42	.82	29.25	26.7	2205	14.00	27.76	1610	9.00	32.68	1350	6.00	35.54	1180
48	.90	33.25	30.75	2990	15.00	30.17	2090	10.00	27.70	1760	6.50	40.61	1475

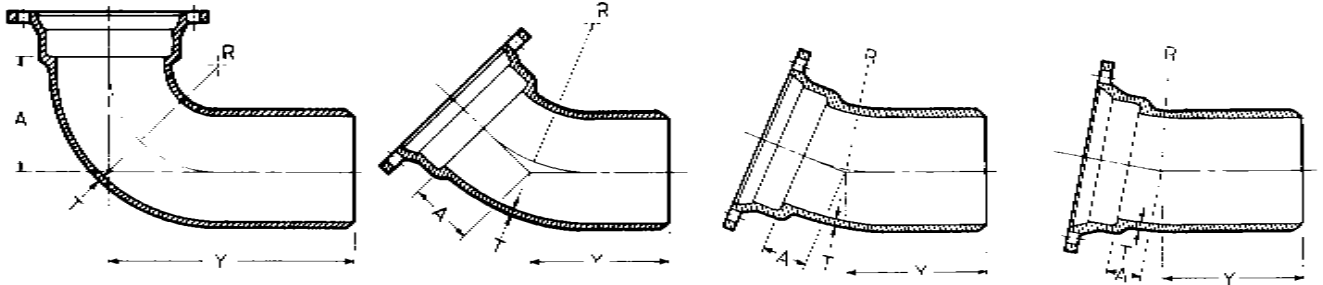
**\*OFFSETS**

Size	MJ x MJ		MJ x PE		Weights MJxMJ	Weights MJxPE
	D	Dimensions L <sup>1</sup> L				
4	6	10 --			45	--
4	12	16 --			55	--
4	18	22 --			65	--
4	24	28 --			75	--
6	6	12 17.5			41	54
6	12	18 --			65	--
6	18	24 --			75	--
6	24	30 --			85	--
8	6	13 --			84	--
8	12	19 --			90	--
8	18	25 --			100	--



\* Not included in AWWA C153.

### BENDS



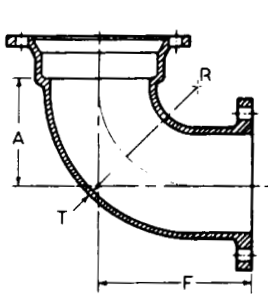
**90° Bend MJ x PE (1/4)**

**45° Bend MJ x PE (1/8)**

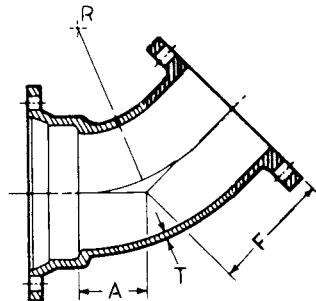
**22 1/2° Bend MJ x PE (1/16)**

**11 1/4° Bend MJ x PE (1/32)**

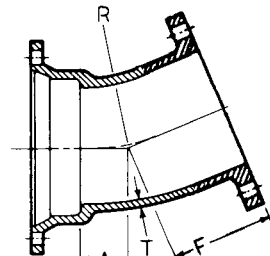
Size	Dimensions					Dimensions					Dimensions					Dimensions				
	T	A	Y	R	Weight	A	Y	R	Weight	A	Y	R	Weight	A	Y	R	Weight			
3	.34	3.5	9.0	2.5	18	2.0	7.5	2.41	17	1.50	7.00	2.51	19	1.25	6.75	7.62	15			
4	.35	4.0	9.5	3.0	26	2.5	8.0	3.56	22	1.75	7.25	3.81	20	1.50	7.00	5.12	20			
6	.37	6.0	11.5	5.0	45	3.2	8.7	5.49	38	2.25	7.75	6.35	33	1.50	7.00	5.12	32			
8	.39	7.5	13.0	7.0	64	4.0	9.5	8.44	55	2.84	8.34	11.80	51	2.05	7.55	15.80	44			
10	.41	9.5	15.0	9.0	108	5.0	10.5	10.88	78	3.35	8.85	14.35	66	2.31	7.81	18.36	60			
12	.43	9.0	14.4	6.0	114	6.0	11.5	13.25	104	3.50	9.00	12.70	89	2.56	8.06	20.90	79			
14	.51	12.0	20.0	11.5	219	5.5	13.4	10.85	165	3.93	11.93	17.25	152	2.59	10.59	21.25	137			
16	.52	13.0	21.0	12.5	254	6.0	14.0	13.25	206	3.98	11.98	17.50	181	2.62	10.62	21.50	161			
24	.62	17.0	25.0	15.5	710	7.5	16.6	14.69	460	9.00	17.66	37.69	455	9.00	26.12	12.00	475			
30	.68	21.5	30.5	--	865	10.5	19.5	--	715	6.75	15.75	--	600	--	--	--	--			



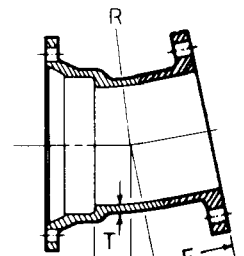
**90° Bend MJ x Flange (1/4)**



**45° Bend MJ x Flange (1/8)**



**22 1/2° Bend MJ x Flange (1/16)**



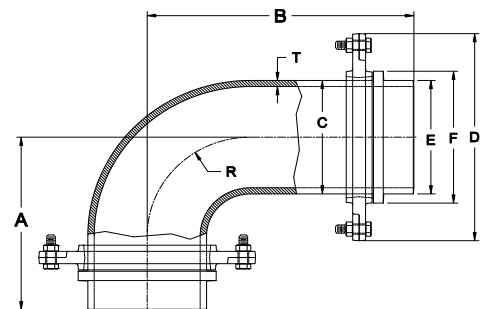
**11 1/4° Bend MJ x Flange (1/32)**

Size	Dimensions					Dimensions					Dimensions					Dimensions				
	T	A	R	F	Weight	A	R	F	Weight	A	R	F	Weight	A	R	F	Weight			
3	.34	3.5	2.5	5.5	21	...	...	..	..	...	...	..	..	...	...	..	..			
4	.35	4.0	3.0	6.5	28	2.50	3.56	4.0	34	1.75	3.81	4.0	34	1.50	5.12	4.0	19			
6	.37	6.0	5.0	8.0	45	3.25	5.49	5.0	57	2.25	5.35	5.0	57	1.50	5.12	5.0	30			
8	.39	7.5	7.0	9.0	73	4.25	7.93	5.5	83	2.50	7.62	5.5	83	1.75	7.70	5.5	50			
10	.41	9.5	9.0	11.0	113	5.00	9.76	6.5	122	3.00	10.16	6.5	122	2.00	10.25	6.5	75			
12	.43	10.5	10.0	12.0	141	6.00	12.19	7.5	159	3.50	12.70	7.5	159	2.25	12.82	7.5	88			
14	.51	12.0	11.5	14.0	217	5.50	10.85	8.5	207											
16	.52	13.0	12.5	15.0	280	6.00	12.02	9.5	290											

### 90° Swivel x Swivel Hydrant Ell

Size	Dimensions								
	T	A	B	C	D	E	F	R	Weight
6	.37	10.5	15.5	6.90	11.2	6.81	7.98	6.0	74

\* Weight includes two swivel glands.

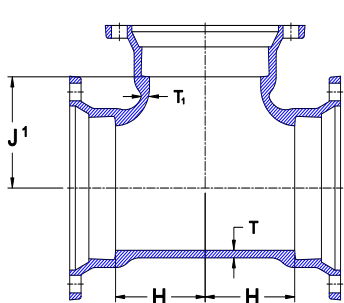


# MECHANICAL JOINT C153 DUCTILE IRON COMPACT FITTINGS

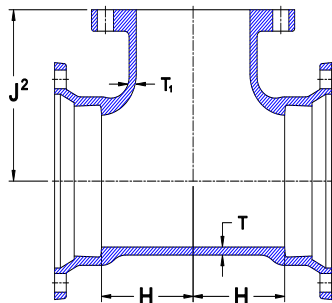
Sizes 3" thru 12" UL Listed For Fire Main Equipment



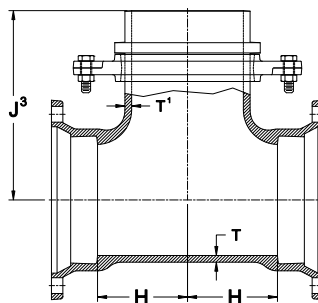
## TEES



**MJ Tee**

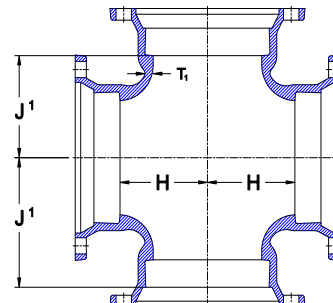


**MJ x FE Tee**



**MJ x Swivel Tee**

## CROSS

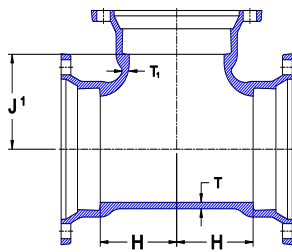


**Cross**

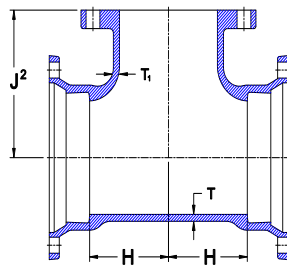
Size	Dimensions						Weights			
	T	T <sup>1</sup>	H	J <sup>1</sup>	J <sup>2</sup>	J <sup>3</sup>	MJ	MJxFE	†MJxS	Cross
3	.34	.34	3.5	3.50	5.5	...	26	29	...	31
4x3	.35	.34	3.5	4.00	6.5	...	35	34	...	39
4	.35	.35	4.0	4.00	6.5	...	36	39	...	45
6x3	.37	.34	4.0	4.00	6.5	...	51	54	...	...
6x4	.37	.35	4.0	5.00	8.0	...	52	57	...	62
6	.37	.37	5.0	5.00	8.0	10.50	66	68	77	79
8x3	.39	.34	4.0	6.50	9.0	...	56	...	...	...
8x4	.39	.35	4.5	6.50	9.0	...	72	82	...	84
8x6	.39	.37	5.5	6.50	9.0	11.50	79	81	105	98
8	.39	.39	6.5	6.50	9.0	11.50	90	101	116	112
10x3	.41	.34	4.0	7.50	11.0	...	80	...	...	...
10x4	.41	.35	4.5	7.50	11.0	...	82	92	...	98
10x6	.41	.37	5.5	7.50	11.0	13.00	99	116	114	121
10x8	.41	.39	6.5	7.50	11.0	13.00	116	128	138	135
10	.41	.41	7.5	7.50	11.0	...	132	144	...	156
12x3	.43	.34	4.0	8.75	12.0	...	99	...	...	...
12x4	.43	.35	4.5	8.75	12.0	...	108	118	...	119
12x6	.43	.37	5.5	8.75	12.0	14.25	119	133	132	138
12x8	.43	.39	6.5	8.75	12.0	14.25	126	146	149	149
12x10	.43	.41	7.5	8.75	12.0	...	159	174	...	187
12	.43	.43	8.75	8.75	12.0	...	171	198	...	202
14x6	.51	.44	6.5	10.50	14.0	16.00	183	205	211	210
14x8	.51	.45	7.5	10.50	14.0	...	211	...	...	231
14x10	.51	.46	8.5	10.50	14.0	...	229	244	...	255
14x12	.51	.47	9.5	10.50	14.0	...	245	284	...	269
14	.51	.51	10.5	10.50	14.0	...	281	291	...	299
16x6	.52	.45	6.5	11.50	15.0	17.00	222	230	243	250
16x8	.52	.46	7.5	11.50	15.0	...	245	248	...	264
16x10	.52	.47	8.5	11.50	15.0	...	265	287	...	286
16x12	.52	.48	9.5	11.50	15.0	...	277	312	...	312
16x14	.52	.51	10.5	11.50	15.0	...	317	348	...	...
16	.52	.52	11.5	11.50	15.0	...	337	324	...	457
30	.66	.66	22.0	22.00	...	...	...	...	...	1840
36	.74	.74	26.0	26.0	...	...	...	...	...	2655

† Weights include swivel gland

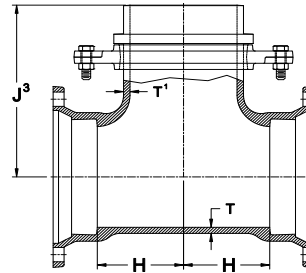
### TEES (Continued)



**MJ Tee**



**MJ x FE Tee**



**MJ x Swivel Tee**

Size	Dimensions						Weights		
	T	T <sup>1</sup>	H	J <sup>1</sup>	J <sup>2</sup>	J <sup>3</sup>	MJ	MJxFE	†MJxS
18x6	.59	.44	6.5	14.5	15.5	18.0	275	261	279
18x8	.59	.45	7.5	14.5	14.5	...	280	351	...
18x10	.59	.47	8.5	12.5	...	...	286	...	...
18x12	.59	.49	9.5	12.5	...	...	372	...	...
18x14	.59	.56	10.5	12.5	...	...	415	...	...
18x16	.59	.57	11.5	12.5	...	...	445	...	...
18	.59	.59	13.0	12.5	...	...	490	...	...
20x6	.60	.44	7.0	16.0	17.0	19.5	335	362	358
20x8	.60	.45	8.0	14.0	...	...	390	...	...
20x10	.60	.47	9.0	14.0	...	...	417	...	...
20x12	.60	.49	10.0	14.0	...	...	460	...	...
20x14	.60	.56	11.0	14.0	...	...	475	...	...
20x16	.60	.57	12.0	14.0	...	...	530	...	...
20x18	.60	.59	13.0	14.0	...	...	560	...	...
20	.60	.60	14.0	14.0	...	...	605	...	...
24x6	.62	.44	7.0	18.0	19.0	21.5	465	451	457
24x8	.62	.45	8.0	16.0	...	...	475	...	...
24x10	.62	.47	9.0	16.0	...	...	516	...	...
24x12	.62	.49	10.0	18.0	...	...	549	580	...
24x14	.62	.56	11.0	16.0	...	...	585	...	...
24x16	.62	.57	12.0	19.5	...	...	625	744	...
24x18	.62	.59	13.0	16.0	...	...	675	...	...
24x20	.62	.60	15.0	17.0	...	...	740	...	...
24	.62	.62	17.0	17.0	...	...	844	...	...
30x6	.66	.36	7.00	20.0	...	...	700	...	...
30x8	.66	.38	8.50	20.0	...	...	739	...	...
30x12	.66	.42	10.0	20.0	...	...	739	...	...
30x16	.66	.50	12.5	20.0	...	...	959	...	...
30x20	.66	.57	15.0	20.0	...	...	995	...	...
30x24	.66	.61	16.0	20.0	...	...	1160	...	...
30	.66	.66	20.0	20.0	...	...	1323	...	...
36x16	.74	.50	12.5	23.5	...	...	1350	...	...
36x24	.74	.61	16.0	23.5	...	...	1498	...	...
36x30	.74	.66	20.0	23.5	...	...	1555	...	...
36	.74	.74	23.5	23.5	...	...	1900	...	...
42	.82	.82	30.0	30.0	...	...	3175	...	...

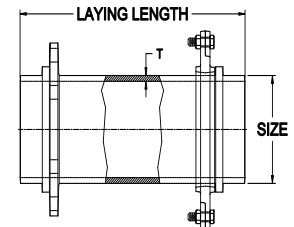
† Weights include swivel gland.

### MJ GLANDS



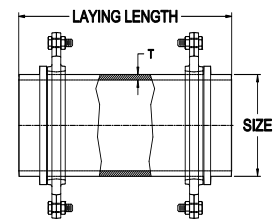
Glands			
Size	Weight	Size	Weight
3	3	12	10
4	4	14	17
6	5	16	21
8	6	18	22
10	9	20	32
		24	37

Swivel Glands, page 19-20  
Retainer Glands, page 7



**Swivel x Solid Adapter  
with Swivel Gland**

Size by Laying Length	Wall	
	Thickness	Weight
6x13	.37	52
6x18	.37	65
6x24	.37	69
8x12	.39	52



**Swivel x Swivel Adapter**

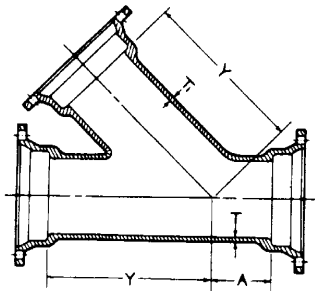
Size by Laying Length	Wall	
	Thickness	Weight
6x12	.37	28
6x18	.37	49
6x24	.37	52

# MECHANICAL JOINT C153 DUCTILE IRON COMPACT FITTINGS

Sizes 3" thru 12" UL Listed For Fire Main Equipment



## WYES/LATERAL



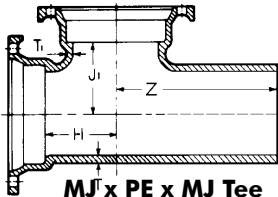
### \*Wyes

Size	A	Dimensions			Weights
		Y	T	T'	
3	2.5	7.5	.34	.34	36
4x3	2.0	8.5	.35	.34	39
4	2.5	8.5	.35	.35	45
6x4	1.5	11.0	.37	.35	67
6	3.0	13.0	.37	.37	85
8x4	0.5	13.0	.39	.35	86
8x6	2.0	14.5	.39	.37	109
8	3.5	16.0	.39	.39	117
10x4	0.0	15.0	.41	.35	112
10x6	1.0	16.0	.41	.37	129
10x8	2.5	17.0	.41	.39	162
10	3.5	19.0	.41	.41	199
12x4	0.0	16.5	.43	.35	141
12x6	1.5	18.5	.43	.37	170
12x8	1.5	18.5	.43	.39	177
12x10	3.0	20.0	.43	.41	216
12	4.5	22.5	.43	.43	269
†14	6.0	25.0	.51	.51	476
16x6	0.0	21.0	.52	.45	300
16x8	0.5	22.5	.52	.46	349
†16x12	3.5	25.0	.52	.48	471
†16	6.5	28.0	.52	.52	635

\* Not included in AWWA C153.

† Rated at 250 psi.

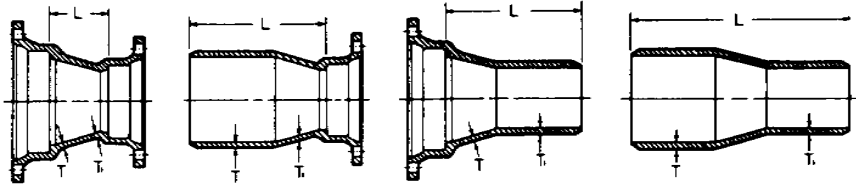
MJ x FE Flange Dimensions are on inside front cover.



MJ x PE x MJ Tee

Size	T	T'	Dimensions			Weights
			H	J'	Z	
6	.37	.37	5.0	5.0	11.5	57
8x6	.39	.37	5.5	6.5	11.5	79
8	.39	.39	6.5	6.5	12.5	83
10	.41	.41	7.5	7.5	13.0	133

## REDUCERS



MJ x MJ

MJSEB x PE

MJLEB x PE

PE x PE

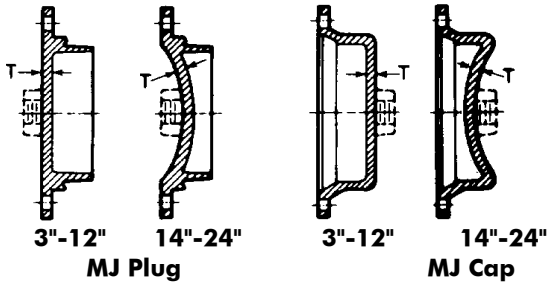
Size	T	T'	MJ L	Dimensions			MJ	Weights		
				SEB L	LEB L	PE L		SEB	LEB	PE
4x3	.35	.34	3.0	8.5	8.5	14.0	18	17	17	18
6x3	.37	.34	5.0	10.5	10.5	16.0	28	25	27	20
6x4	.37	.35	4.0	9.5	9.5	15.0	28	26	27	26
8x4	.39	.35	5.0	10.5	10.5	16.0	36	34	36	33
8x6	.39	.37	4.0	9.5	9.5	15.0	39	38	39	30
10x4	.41	.35	7.0	12.5	12.5	18.0	53	46	51	...
10x6	.41	.37	5.0	10.5	10.5	16.0	59	48	52	49
10x8	.41	.39	4.0	9.5	9.5	15.0	54	52	52	47
12x4	.43	.35	9.0	14.5	14.5	20.0	67	61	68	60
12x6	.43	.37	7.0	12.5	12.5	18.0	64	58	66	54
12x8	.43	.39	5.0	10.5	10.5	16.0	57	62	65	60
12x10	.43	.41	4.0	9.5	9.5	15.0	63	61	65	57
14x6	.51	.44	9.0	17.0	14.5	22.5	104	107	112	...
14x8	.51	.45	7.0	15.0	12.5	20.5	104	107	108	...
14x10	.51	.46	5.0	13.0	10.5	18.5	100	102	100	...
14x12	.51	.47	4.0	12.0	9.5	17.5	100	101	100	100
16x6	.52	.45	11.0	19.0	16.5	24.5	132	131	141	128
16x8	.52	.46	9.0	17.0	14.5	22.5	136	128	136	136
16x10	.52	.47	7.0	15.0	12.5	20.5	128	124	128	123
16x12	.52	.48	5.0	13.0	10.5	18.5	120	123	119	113
16x14	.52	.51	4.0	12.0	12.0	20.0	140	139	138	133
18x8	.59	.45	14.0	22.0	19.5	27.5	201	180	195	...
18x10	.59	.47	12.0	20.0	17.5	25.5	196	180	185	...
18x12	.59	.49	10.0	18.0	15.5	23.5	175	170	190	...
18x14	.59	.56	8.0	16.0	16.0	24.0	180	181	200	...
18x16	.59	.57	7.0	15.0	15.0	23.0	194	180	190	...
20x10	.60	.47	14.0	22.0	19.4	27.5	225	210	210	...
20x12	.60	.49	12.0	20.0	17.5	25.5	214	208	210	...
20x14	.60	.56	10.0	18.0	17.8	26.0	208	198	205	...
20x16	.60	.57	8.0	16.0	15.8	24.0	225	215	222	...
20x18	.60	.59	7.0	15.0	15.0	23.0	233	220	...	...
24x12	.62	.49	16.0	24.0	21.4	29.5	320	302	300	...
24x14	.62	.56	14.0	22.0	21.8	30.0	314	325	322	...
24x16	.62	.57	12.0	20.0	19.8	28.0	325	319	340	...
24x18	.62	.59	10.0	18.0	18.0	26.0	325	310	...	...
24x20	.62	.60	8.0	16.0	16.0	24.0	315	305	...	...
30x16	.66	.50	30.0	39.0	...	...	475	565	...	...
30x18	.66	.54	28.0	37.0	...	...	495	590	...	...
30x20	.66	.57	24.0	33.0	...	...	525	560	...	...
30x24	.66	.61	10.0	24.5	...	...	478	495	...	...
36x16	.74	.50	...	...	...	...	...	890	...	'''
36x20	.74	.57	...	45.0	...	...	...	874	...	...
36x24	.74	.61	19.0	33.0	...	...	770	746	...	...
36x30	.74	.66	...	24.5	...	...	...	725	...	...
42x30	.82	.66	20.0	...	...	...	1185	...	...	...
48x30	.90	.66	40.0	...	...	...	1505	...	...	...



# MECHANICAL JOINT C153 DUCTILE IRON COMPACT FITTINGS

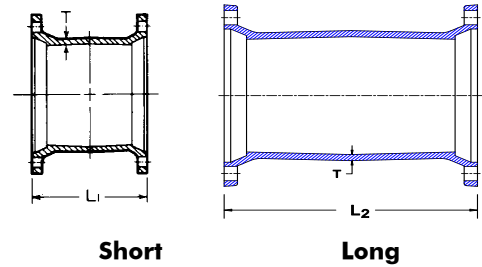
Sizes 3" thru 12" UL Listed For Fire Main Equipment

## SOLID & TAPPED PLUGS & CAPS



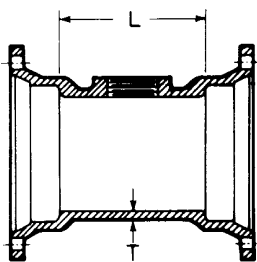
Size	Dimensions		Max. Tap	Weights	
	T			Plugs	Caps
3	.46		2	9	8
4	.46		2	9	10
6	.46		2	18	18
8	.46		2	25	26
10	.56		2	36	32
12	.56		2	47	46
14	.62		2	76	85
16	.62		2	98	94
18	.65		2	138	121
20	.66		2	158	149
24	.68		2	223	210
30	.66		2	355	345
36	.74		2	688	626

## SOLID SLEEVES



Size	T	Dimensions		Weights	
		L <sup>1</sup>	L <sup>2</sup>	Short	Long
3	.34	7.5	12	13	22
4	.35	7.5	12	19	25
6	.37	7.5	12	28	39
8	.39	7.5	12	38	55
10	.41	7.5	12	48	68
12	.43	7.5	12	62	81
14	.56	9.5	15	116	146
16	.57	9.5	15	138	174
18	.68	9.5	15	160	230
20	.69	9.5	15	212	269
24	.75	9.5	15	272	380
30	.66	15.0	15	500	...
30	.66	...	24	...	640
36	.74	15.0	15	725	...
36	.74	...	24	...	925
42	.82	...	24	...	1146
48	.90	...	24	...	1455

## TAPPED TEE

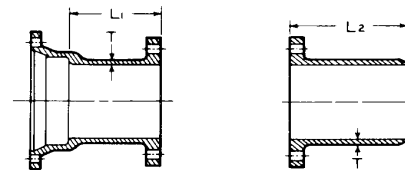


MJ x FE Flange  
Dimensions are  
on inside front  
cover.

### MJ Tapped Tee (2" Tap)

Size	Dimensions		Max. Tap	Weights
	T	L		
3	.34	6	2	19
4	.35	6	2	23
6	.37	6	2	35
8	.39	6	2	54
10	.41	6	2	68
12	.43	6	2	88
16	.52	6	2	164

## ADAPTERS



MJ x FE

FE x PE

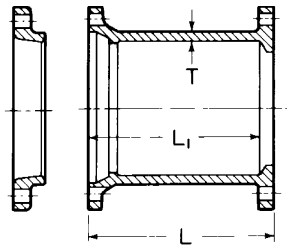
Size	T	Dimensions		Weights	
		L <sup>1</sup>	L <sup>2</sup>	MJxFE	FExPE
3	.34	6	12	18	...
4	.35	6	12	26	23
6	.37	6	12	36	35
8	.39	6	12	50	50
10	.41	6	12	60	69
12	.43	6	12	88	88
14	.51	6	12	127	...
16	.52	6	12	155	149
20	.60	6	...	275	...
30	.66	7	...	470	...
36	.74	8	...	750	...



# MECHANICAL JOINT C153 DUCTILE IRON COMPACT FITTINGS

Sizes 3" thru 12" UL Listed For Fire Main Equipment

## DUAL PURPOSE CUTTING-IN SLEEVE

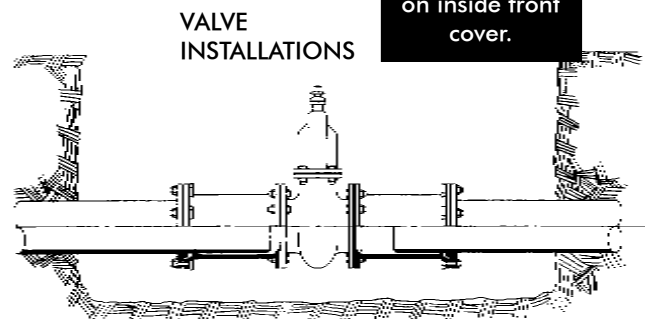
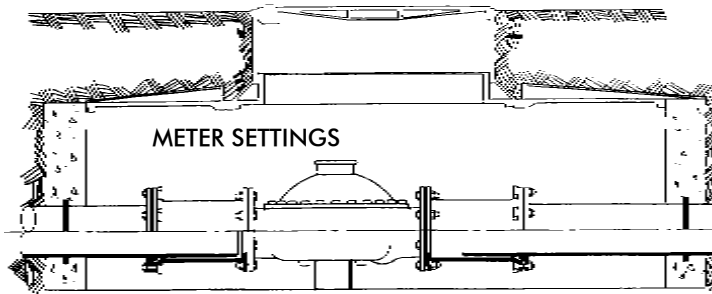


**MJ x FE**  
Cutting-In Sleeve with Dual Purpose Accessories

Size	For Pipe Size	Dimensions			Shipping Wt. Assembled
		L	L <sup>1</sup>	T	
4	4.80-5.00 O.D.	10	9.5	.35	33
6	6.90-7.10 O.D.	10	9.5	.37	50
8	9.05-9.30 O.D.	10	9.5	.39	67
10	11.10-11.40 O.D.	10	9.5	.41	122
12	13.20-13.50 O.D.	10	9.5	.43	157

Flanged ends are faced and drilled per ANSI/AWWA C110/A21.10. Mechanical joint ends are designed to receive both standard and oversize gray or ductile iron pipe as shown above.

## TYPICAL CUTTING-IN SLEEVE INSTALLATIONS



MJ x FE Flange  
Dimensions are  
on inside front  
cover.